

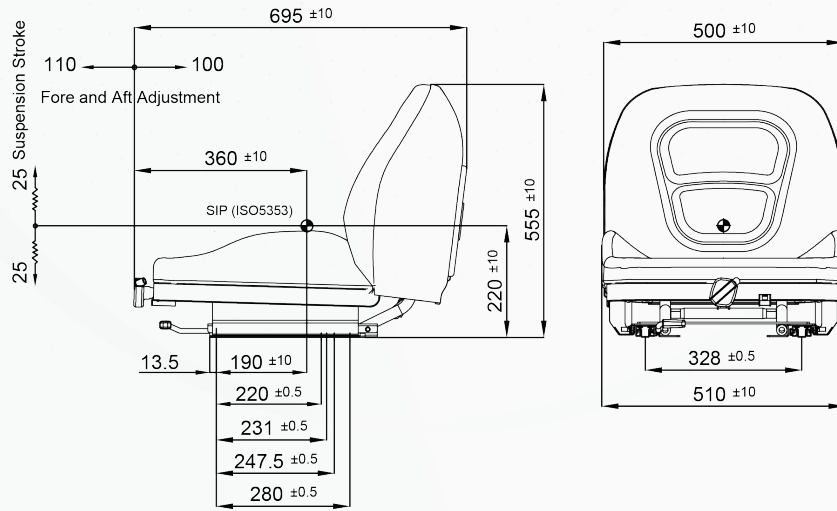
F150/MN50

MATERIAL HANDLING 
SEATS



F150/MN50

F150/MN50	
Mechanical suspension	●
Weight adjustment	Manual up to 150kgs.
Suspension stroke	50mm
Height adjustment	N/A
Turn Table	▲
Slide travel	210mm
Lumbar adjustment	N/A
Hip restraints	▲
Adjustable / Foldable armrests	▲
Headrest	N/A
Backrest adjustment	N/A
Vinyl trim (Vacuum type)	●
Cloth trim (Vacuum type)	▲
2-point seat belt	▲
Document box	●
Heater	N/A
Operator presence switch	▲
Standard connection widths	328mm
Optional connection widths	320mm
Testing	EN13490 IT1 ISO 24135-1 ECE R16.08 ISO 3795



▲ : Option ● : Standard N/A : Not Available