

23/1

MATERIAL HANDLING SEATS

FOLDABLE
ARMRESTS

2PNT
SEAT BELT

BACKREST
ADJUSTMENT

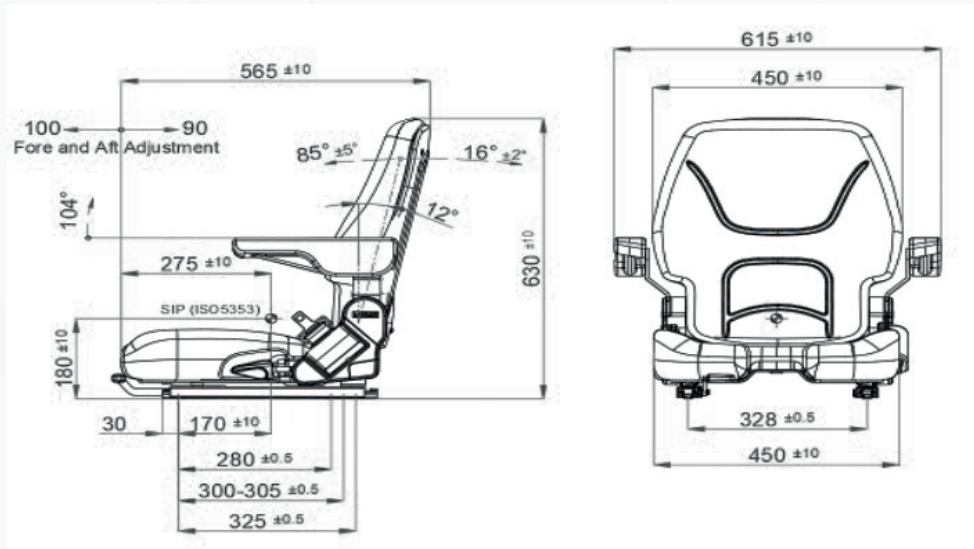
FORE AND AFT
ADJUSTMENT



23/1

23/1

Turn Table	▲
Slide travel	210mm
Lumbar adjustment	▲
Hip restraints	▲
Adjustable / Foldable armrests	▲
Adjustable headrest	▲
Backrest adjustment	●
Vinyl trim (Vacuum type)	●
Cloth trim (Vacuum type)	▲
2-point seat belt	▲
Document box-pouch	▲
Heater	▲
Operator presence switch	▲
Standard connection width	328mm
Optional connection width	N/A
Testing	ISO6683 ECE R16.08 ISO 3795



▲ : Option ● : Standard N/A : Not Available